

□ 75

**DC Blower**

×75×30mm



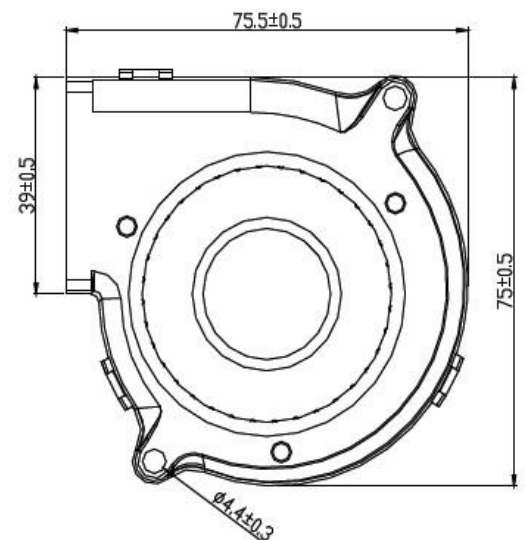
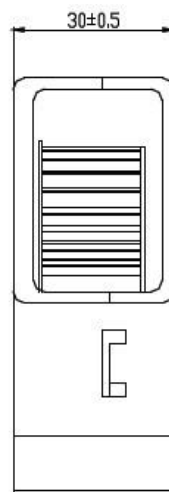
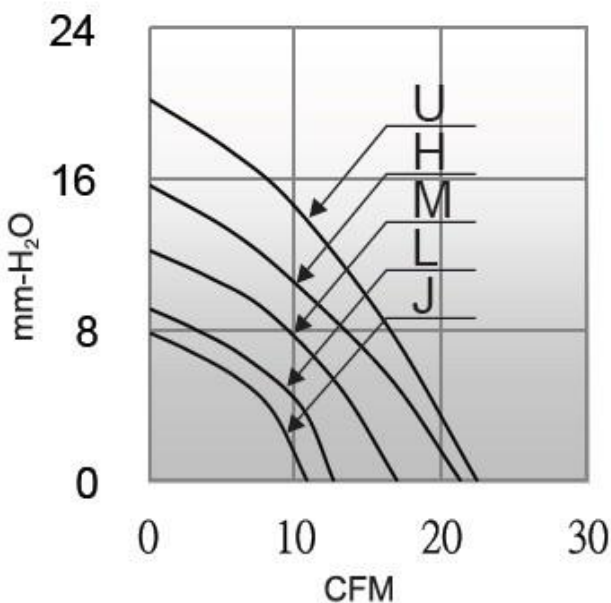
### General Specifications

- Motor : 6 Poles brushless DC motor
- Frame & Impeller: Plastic (UL 94V-0)
- Storage temperature : -40° to +75°
- Operating temperature : -10° to +70°

### Major Characteristic Parameters

品牌	轴承	电压	启动电压	电流	功率	转速	风量	静压	噪音		
型号	B/S	V	V	A	W	RPM	m3/min	CFM	mm-H2O	In-H2O	dba
SP75B12J-30DL	B/S	12	7.0~13.2	0.09	1.08	2600	0.31	10.9	7.8	0.31	32.1
SP75B24J-30DL	B/S	24	14.0~26.4	0.04	0.96	2600	0.31	10.9	7.8	0.31	32.1
SP75B12L-30DL	B/S	12	7.0~13.2	0.15	1.80	3000	0.36	12.7	9.1	0.36	41.4
SP75B24L-30DL	B/S	24	14.0~26.4	0.12	2.88	3000	0.36	12.7	9.1	0.36	41.4
SP75B12M-30DL	B/S	12	7.0~13.2	0.25	3.00	3600	0.48	17.0	12.2	0.48	47.5
SP75B24M-30DL	B/S	24	14.0~26.4	0.22	5.28	3600	0.48	17.0	12.2	0.48	47.5
SP75B12H-30DL	B/S	12	7.0~13.2	0.42	5.04	4000	0.60	21.4	15.7	0.62	51.3
SP75B24H-30DL	B/S	24	14.0~26.4	0.30	7.20	4000	0.60	21.4	15.7	0.62	51.3
SP75B12U-30DL	B/S	12	7.0~13.2	0.45	5.40	4600	0.89	22.5	20.2	0.80	53.0
SP75B24U-30DL	B/S	24	14.0~26.4	0.40	9.60	4600	0.89	22.5	20.2	0.80	53.0

\*Bearing system B: Two Ball Bearing S: Sleeve Bearing



unit:mm